



NOTICE TO BIDDERS CITY OF PLYMOUTH



Notice is hereby given that the City of Plymouth, Michigan will accept sealed bids up until 10:10 a.m. EDT, Thursday, June 2, 2022. The bid opening will be at 10:15 a.m EDT., Thursday, June 2, 2022 for the following:

LightMart.com – Campus Series LED Light Pole Kit 100 Watt – Anchor Base

**Item #PKCAMP100AB, 10 Foot, Finish Dark Bronze, 4000K,
Type 5, 120-277 Volts, No Photocell**

Quantity of units - 6

Specifications and bid documents are available at the city hall during normal business hours. You may also download a copy of the documentation from the City's web site at:
<http://www.plymouthmi.gov>

The City of Plymouth reserves the right to accept or reject any or all bids, in whole or in part, and to waive any irregularities.

Maureen Brodie - City Clerk
City of Plymouth
201. S. Main
Plymouth, MI 48170

INSTRUCTION TO BIDDERS

MODIFICATIONS: The proposal shall not contain any recapitulations of the work to be done. The City is under no obligation to consider alternate proposals or modifications to the specifications unless specifically requested in the bid documents. Oral presentations will not be considered.

EXAMINATION/INTERPRETATION OF THE CONTRACT DOCUMENTS & ABILITY TO BID: Before submitting a proposal, bidders shall carefully read the specifications and other bid documents and shall fully inform themselves as to all existing conditions and limitations and shall include in the proposal a sum to cover the cost of all items included in the specifications. Any bidder in doubt as to the true meaning of any part of the specifications or contract documents may submit to the City of Plymouth a written request for an interpretation or correction thereof. The person submitting such request will be responsible for its prompt delivery. If the interpretation is of general significance to all bidders, the City will attempt to fax or mail a copy of the interpretation to all parties known to be considering the bid. If the interpretation is of sufficient importance to potentially affect other bids, then the City may extend the bid due date to give all potential bidders an opportunity to consider the interpretation. Neither the City, nor its agents and employees, shall be responsible for any other explanations or interpretations of the specifications and bid documents, other than those issued in writing by the City Clerk.

It is the intent of the City of Plymouth that all qualified contractors are able to bid under these specifications. If the bidder feels that the specifications are unreasonably restrictive and prevent an effective bid from being submitted, then the bidder is encouraged to notify the City and provide a written request for interpretation of the specification, which is being considered restrictive.

ADDENDA: Any addenda issued prior to the bid opening shall be covered by the bidder in the proposal and shall be made part of the contract documents. Receipt of such addendum shall be acknowledged in the proposal.

DELIVERY OF PROPOSALS: Bids shall be delivered by the time and to the place specified in the Notice to Bidders. It is the sole responsibility of the bidder to see that his/her proposal is received in proper time. Any proposal received after the scheduled closing time for receipt of proposals shall be returned to the bidder unopened. To avoid late receipt and disqualification of bids, it is recommended that bidders personally deliver bids or utilize overnight or certified mail with return receipt requested.

BIDS SHOULD BE DELIVERED IN SEALED ENVELOPES BEARING THE INSCRIPTION "P.C.C. EXTERIOR LIGHTING PROJECT". DELIVER BIDS TO:

Maureen Brodie - City Clerk
City of Plymouth
201 S Main
Plymouth, MI 48170-1688

WITHDRAWAL: Any bidder may withdraw his proposal, either personally or by telegraphic, faxed or written request, at any time prior to the scheduled closing time for receipt of proposals.

OPENINGS: Proposals will be opened and publicly read aloud at the time designated.

BIDDER QUALIFICATIONS/REFERENCES: All bidders shall include a list of at least three references, preferably municipalities, which the City may contact regarding the bidder's performance. Upon request, the bidder shall also furnish a written statement of its qualifications for the proposed work and a list of work completed on similar projects.

DURATION OF PROPOSALS: Each proposal shall be considered binding and in effect for a period of ninety (90) days following the bid opening.

PAYMENT TERMS: To be determined by The City of Plymouth based on when the order is delivered.

EQUAL EMPLOYMENT OPPORTUNITY: In connection with the performance of work under this contract, the contractor agrees not to discriminate against any employee or applicant for employment because of race, religion, color, or national origin. The contractor shall further not discriminate against any employee or applicant for employment to be employed in the performance of this contract with respect to his/her hire, tenure, terms, conditions, privileges of employment or any matter directly or indirectly related to employment because of age, except in cases of bona-fide occupational qualifications. Non-compliance with the non-discrimination clause of this contract shall result in cancellation, termination or suspension of the contract and the contractor may be declared ineligible for further City of Plymouth contracts.

HOLD HARMLESS CLAUSE: The contractor agrees to defend and hold the City of Plymouth and its tenants harmless from any claims, actions, damages, losses and expenses of any sort arising out of or in connection with any act or omission of said company, its employees, stewards agents or sub-contractors.

FAILURE TO PERFORM: Failure to perform according to the specifications and bid will result in immediate cancellation of the contract, with the understanding that the City will contact the contractor and inform him/her of any deficiencies and allow corrections of said deficiencies to be made within 24 hours of such notification. Repeated failures of same deficiency will result in immediate termination of the contract after written notice has been given and noted as final notice of failure to comply.

NON-COLLUSION AFFIDAVIT: Bidders will complete the enclosed Affidavit of Non-collusion by Contractor form.

THE CITY OF PLYMOUTH RESERVES THE RIGHT TO ACCEPT OR REJECT ANY OR ALL BIDS, IN WHOLE OR IN PART, AND TO WAIVE ANY IRREGULARITIES. LOW BID DOES NOT AUTOMATICALLY GUARANTEE BID AWARD. BID IS AWARDED TO "BEST BID" AS DETERMINED BY THE CITY OF PLYMOUTH.

Bid may be awarded to more than one bidder.

AFFIDAVIT OF NONCOLLUSION

STATE OF _____ COUNTY OF _____

_____ (name), being first duly sworn deposes and says

that he is _____ (title) of _____ (corporation)

who submits herewith to the City of Plymouth a proposal for **Purchase of Item #PKCAMP100AB Exterior Lighting** for the City of Plymouth and certifies:

That all statements of fact in such proposal are true;

That such proposal was not made in the interest of or on behalf of any undisclosed person, partnership, company, association, organization or corporation;

That such proposal is genuine and not collusive or sham;

That said bidder has not, directly or indirectly, by agreement, communication or conference with anyone, attempted to induce action prejudicial to the interest of the City of Plymouth, or of any other bidder or anyone else interested in the proposed contract; and further

That prior to the public opening and reading of proposals, said bidder:

1. Did not, directly or indirectly, induce or solicit anyone else to submit a false or sham proposal;
2. Did not, directly or indirectly, collude, conspire, connive or agree with anyone else that said bidder or anyone else would submit a false or sham proposal, or that anyone should refrain from bidding or withdraw his bid;
3. Did not in any manner, either directly or indirectly, seek by agreement, communication or conference with anyone to raise or fix the proposal price of said bidder or of anyone else or to raise or fix any overhead, profit, cost element of his proposal price or of that of anyone else;
4. Did not, directly or indirectly, submit his proposal price or any breakdown thereof, or the content thereof, or divulge information relative thereof, to any corporation, partnership, company, association, organization, bid depository, or to any member or agent thereof, or to any individual or group of individuals, except to any person or persons who have a partnership or other financial interest with said bidder in this business.

Firm Name

Signature of Bidder

Date:

Plymouth Cultural Center Exterior Lighting Project

LightMart.com – Campus Series LED Light Pole Kit 100 Watt – Anchor Base

**Item #PKCAMP100AB, 10 Foot, Finish Dark Bronze, 4000K, Type 5,
120-277 Volts, No Photocell**

- Cut Sheets attached
- Shipping is to be included in per unit cost

**City of Plymouth Proposal Form
Plymouth Cultural Center
Exterior Lighting Project**

LightMart.com – Campus Series LED Light Pole Kit 100 Watt – Anchor Base

**Item #PKCAMP100AB, 10 Foot, Finish Dark Bronze, 4000K, Type 5,
120-277 Volts, No Photocell**

Quantity of Units - 6

- Please provide pricing for equipment in table below
- Completed Non-Collusion Affidavit
- Submit three (3) copies of the proposal form

Bidder Company Name:	
Address:	
Phone Number:	
Fax:	
Email Address:	
Contact Person:	

Bid Pricing	
Total bid for all services as listed in bid specifications	
LightMart.com – Campus Series LED Light Pole Kit 100 Watt – Anchor Base	\$
Item #PKCAMP100AB, Finish Dark Bronze, 4000K, Type 5, 120-277 Volts, No Photocell	
Per Unit Cost for 6 total units –	
Estimated weeks required to fulfil order from date of City Commission Approval	

I affirm that I have the authority to submit this bid to the City of Plymouth.
I propose to supply the materials and labor to the City as outlined in this proposal in a timely manner.

Signature of Authorized Agent:	
Printed Name of Authorized Agent:	
Date:	



PKCAMPAB

Campus Series Architectural LED Light Pole Kit Anchor Base

Job: _____

Job Site: _____

State: _____

Client Name: _____

Notes: _____

Approvals: _____

Date: _____

LED Light Pole Kit Includes:

4" Round Straight Aluminum Light Pole, Architectural Post-Top LED Area Light, Tenon, Hardware, Set of Anchor Bolts and a Base Cover.

Light Pole:

Pole Shaft: 4 inch round straight aluminum with 0.125" wall thickness. Seamlessly extruded from 6063-T6 alloy.

Pole Height: Standard pole height is 16 ft. Optional heights are 14, 12, 10. Custom heights are also available.

Handhole: 2-1/2" X 4" size handhole is located at 18 inches from the base. An aluminum handhole cover with 2 screws is provided.

A ground lug with set screw is located near the handhole opening for proper grounding of the pole.

Color: Black, Bronze, White, Gray.

Anchor Bolts: A set of 4 galvanized steel anchor bolts is provided with each pole assembly. Each anchor bolt includes 2 nuts and 2 washers. Top portion of the anchor bolt is threaded for securing and leveling the pole with the provided nuts and washers. An actual size paper anchor bolt template is provided.

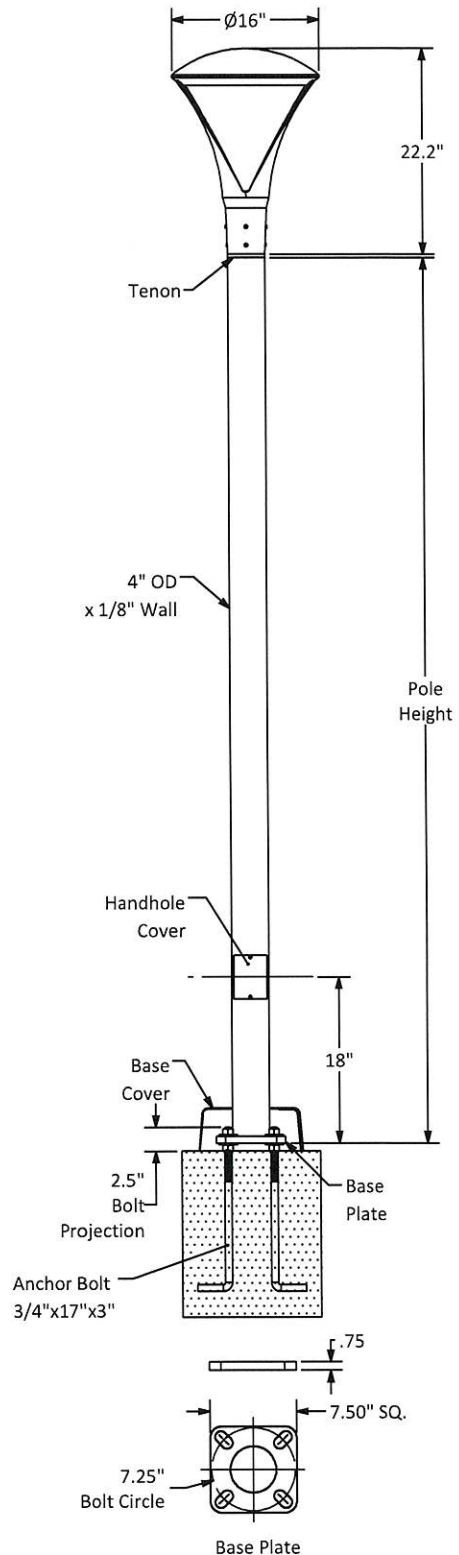
Base Cover: ABS Plastic base cover with rivets.

Maximum Wind Rating: 100 mph wind zone with 1.3 gust factor.

Foundation design: Foundation should be designed by an engineer familiar with local soil and wind conditions as well as local code where the pole(s) will be installed.

LED Fixture:

Specifications on page 2



Disclaimer: All dimensions and specifications are subject to change without any notice. Energy Light, Inc. is not responsible for any claims arising from improper loading (what is attached to the light pole), improper use, incorrect foundation design and/or installation.



Catalog #: _____ Project: _____

Prepared By: _____ Date: _____ Type: _____

Opulence Small Post Top (OPS)

Outdoor Decorative Post Top



IP66



OVERVIEW	
Lumen Output Range	3,000 - 14,000
Wattage	20 - 100
Efficacy Range (LPW)	114 - 148
Fixture Weight lbs (kg)	25.0 (11.3)

QUICK LINKS

[Ordering Guide](#)

[Performance](#)

[Photometrics](#)

[Dimensions](#)

FEATURES & SPECIFICATIONS

Construction

- Rugged die-cast aluminum housing.
- Fixtures are finished with LSI's DuraGrip® polyester powder coat finishing process. The DuraGrip finish withstands extreme weather changes without cracking or peeling. Other standard LSI finishes available. Consult factory.

Optical System

- High density LED optical system delivers industry leading optical performance and visual comfort.
- 7 distribution types 3W, 4F, 5Q, 5C, 5R, 5D & AD
- Diffused lens version provides maximum visual comfort with reduced brightness and LED pixelization
- Available in 5000K, 4000K, 3500K, 3000K and 2700K color temperatures per ANSI C78.377.
- Minimum CRI of 80

Electrical

- High-performance driver features overvoltage, under-voltage, short-circuit and over temperature protection (6kV surge standard).
- 0-10V dimming driver (optional extended leads).
- Standard Universal Voltage (120-277 VAC) Input 50/60 Hz or optional High Voltage (347-480 VAC).

- Total harmonic distortion: <20%
- Operating temperature: -40°C to +40°C (-40°F to +104°F).
- Power factor: >.90
- Input power stays constant over life.
- Field replaceable 10kV surge protection device meets a minimum Category C Low operation (per ANSI/IEEE C62.41.2).
- Driver is fully encased in potting material for moisture resistance and complies with FCC standards. Driver and key electronic components can easily be accessed.

Controls

- Integral passive infrared Bluetooth™ motion and photocell sensor options. Fixtures operate independently and can be commissioned via an iOS or Android configuration app.
- LSI's AirLink™ Blue lighting control system is a simple feature rich wireless Bluetooth mesh network. The integrated fixture sensor module provides wireless control of grouped fixtures based on motion sensors, daylight or a fully customizable schedule. Updates and modifications to the control strategy are easily implemented via an intuitive iOS app.

Installation

- Designed to mount directly to a 2 3/8" - 3" outer diameter tenon (4" tall).
- Optional flush mount accessory slips inside the top of a 4" round pole for a virtually seamless transition from pole to luminaire.

Warranty

- LSI luminaires carry a 5-year limited warranty. Refer to <https://www.lsicorp.com/resources/terms-conditions-warranty/> for more information.

Listings

- Listed to UL 1598 and UL 8750.
- Meets Buy American Act requirements.
- IDA compliant; with 3000K and warmer color temperature selection.
- Title 24 Compliant; see local ordinance for qualification information.
- Suitable for wet locations.
- IP66 rated Luminaire per IEC 60598-1.
- 3G rated for ANSI C136.31 high vibration applications.
- DesignLights Consortium® (DLC) qualified product. Not all versions of this product may be DLC qualified. Please check the DLC Qualified Products List at www.designlights.org/QPL to confirm which versions are qualified.

Specifications and dimensions subject to change without notice.





Type: _____

Opulence Small Post Top

ORDERING GUIDE

[Back to Quick Links](#)TYPICAL ORDER EXAMPLE: **OPS PT 8L 5Q UNV 40K8 BLK ALBCS1**

Prefix	Mounting	Lumen Package*	Distribution
OPS - Opulence Small	PT - Post Top (2 3/8" 3" Tennon)	3L - 3,000 Lumens 5L - 5,000 Lumens 6L - 6,000 Lumens 8L - 8,000 Lumens 10L - 10,000 Lumens 12L - 12,000 Lumens 14L - 14,000 Lumens	5Q - Type 5 Square 5C - Type 5 Concentrated 5R - Type 5 Rectangular 3W - Type 3 (Wide Throw) 4F - Type 4 (Forward Throw) 5D - Type 5 Diffused AD - Asymmetric Diffused
Voltage	Color Temp	Finish	Controls
UNV - Universal Voltage (120-277V) HV - High Voltage (347-480V)	50K8 - 5,000K CCT - 80 CRI 40K8 - 4,000K CCT - 80 CRI 35K8 - 3,500K CCT - 80 CRI 30K8 - 3,000K CCT - 80 CRI 27K8 - 2,700K CCT - 80 CRI	BRZ - Dark Bronze BLK - Black GMG - Gun Metal Gray GPT - Graphite MSV - Metallic Silver PLP - Platinum Plus WHT - White	(Blank) - None Wireless Controls System ALBCS1 - AirLink Blue Wireless Motion & Photo Sensor Controller (8-24' MH) ¹ ALBCS2 - AirLink Blue Wireless Motion & Photo Sensor Controller (25-40' MH) ¹ Stand-Alone Controls CR7P - 7 Pin Control Receptacle ANSI C136.41 ² IMSBT1 - Integral Bluetooth™ Motion and Photocell Sensor (8-24' MH) ^{1,3} IMSBT2 - Integral Bluetooth™ Motion and Photocell Sensor (25-40' MH) ^{1,3} EXT - 0-10v Dimming leads extended to housing exterior

Accessory Ordering Information

CONTROLS ACCESSORIES	
Description	Order Number
Twist Lock Photocell (120V) for use with CR7P	122514
Twist Lock Photocell (208-277) for use with CR7P	122515
Twist Lock Photocell (347V) for use with CR7P	122516
Twist Lock Photocell (480V) for use with CR7P	1225180
AirLink 5 Pin Twist Lock Controller	661409
AirLink 7 Pin Twist Lock Controller	661410
Shorting Cap for use with CR7P	149328

FUSING ACCESSORIES ⁵	
Description	Order Number
Single Fusing (120V)	FK120
Single Fusing (277V)	FK277
Double Fusing (480V)	DFK480
Double Fusing (347V)	DFK347

MOUNTING ACCESSORIES ⁶	
Description	Order Number
Internal Flush Mount Adapter for 4" OD Round Pole	764420CLR
Post Top Wall Mount Bracket	761587CLR
D180 Post Top Arm Bracket	761588CLR
Internal Tenon Adapter for 4" Square Pole	694638CLR
Internal Tenon Adapter for 5" Square Pole	694641CLR
Internal Tenon Adapter for 6" Square Pole	694642CLR
Decorative Base Cover (4 / 5" Round Poles)	483859CLR
10' Linear Bird Spike Kit (4' Recommended per Luminaire)	751632

FOOTNOTES:

- 1 - Consult Factory for 347-480V.
- 2 - Control device or shorting cap must be ordered separately. See Accessory Ordering Information.
- 3 - IMSBT is field configurable via the LSI app that can be downloaded from your smartphone's native app store.
- 4 - Accessories are shipped separately and field installed.
- 5 - Fusing must be located in hand hole of pole.
- 6 - "CLR" denotes finish. See Finish options.





Opulence Small Post Top

PERFORMANCE

[Back to Quick Links](#)

DELIVERED LUMENS (OPS)*																		
Lumen Package	Distribution	CRI	2700K CCT			3000K CCT			3500K CCT			4000K CCT			5000K CCT			Wattage
			Delivered Lumens	Efficacy	BUG Rating	Delivered Lumens	Efficacy	BUG Rating	Delivered Lumens	Efficacy	BUG Rating	Delivered Lumens	Efficacy	BUG Rating	Delivered Lumens	Efficacy	BUG Rating	
3L	5Q	80	2739	135	B1-U2-G1	2828	139	B1-U2-G1	2781	137	B1-U2-G1	2895	143	B1-U2-G1	2933	145	B1-U2-G1	20
	5C		2812	139	B1-U3-G1	2903	143	B1-U3-G1	2855	141	B1-U3-G1	2972	146	B1-U3-G1	3011	148	B1-U3-G1	
	5R		2708	132	B1-U2-G1	2796	138	B1-U2-G1	2750	134	B1-U2-G1	2862	141	B2-U2-G2	2900	143	B2-U2-G2	
	4F		2714	134	B1-U2-G1	2802	138	B1-U2-G1	2756	136	B1-U2-G1	2869	141	B1-U2-G1	2907	143	B1-U2-G1	
	3W		2705	133	B1-U2-G1	2793	138	B1-U2-G1	2747	135	B1-U2-G1	2859	141	B1-U2-G1	2897	143	B1-U2-G1	
	5D		2522	124	B1-U2-G1	2604	128	B1-U2-G1	2561	126	B1-U2-G1	2665	131	B1-U2-G1	2701	133	B1-U2-G1	
	AD		2529	125	B1-U2-G1	2611	129	B1-U2-G1	2568	127	B1-U2-G1	2672	132	B1-U2-G1	2708	133	B1-U2-G1	
5L	5Q	80	4525	131	B2-U3-G1	4672	135	B2-U3-G1	4595	133	B2-U3-G1	4782	139	B2-U3-G1	4845	140	B2-U3-G1	34
	5C		4645	135	B2-U3-G1	4796	139	B2-U3-G1	4717	137	B2-U3-G1	4909	142	B2-U3-G1	4974	144	B2-U3-G1	
	5R		4474	130	B2-U3-G2	4619	134	B2-U3-G2	4543	132	B2-U3-G2	4728	137	B2-U3-G2	4791	139	B2-U3-G2	
	4F		4484	130	B1-U3-G1	4630	134	B1-U3-G1	4553	132	B1-U3-G1	4739	137	B1-U3-G1	4802	139	B1-U3-G1	
	3W		4468	129	B1-U3-G1	4614	134	B1-U3-G1	4538	131	B1-U3-G1	4723	137	B1-U3-G1	4785	139	B1-U3-G1	
	5D		4166	121	B2-U3-G1	4301	125	B2-U3-G1	4231	123	B2-U3-G1	4403	128	B2-U3-G1	4461	129	B2-U3-G1	
	AD		4177	121	B1-U3-G1	4313	125	B1-U3-G1	4242	123	B1-U3-G1	4415	128	B1-U3-G1	4474	130	B1-U3-G1	
6L	5Q	80	5362	132	B2-U3-G1	5536	136	B2-U3-G1	5445	134	B2-U3-G1	5667	140	B2-U3-G1	5742	141	B2-U3-G1	41
	5C		5505	136	B2-U3-G1	5684	140	B2-U3-G1	5590	138	B2-U3-G1	5818	143	B2-U3-G1	5895	145	B2-U3-G1	
	5R		5302	131	B2-U3-G2	5474	135	B2-U3-G2	5384	133	B2-U3-G2	5603	138	B2-U3-G2	5677	140	B2-U3-G2	
	4F		5314	131	B1-U3-G1	5486	135	B1-U3-G1	5396	133	B1-U3-G1	5616	138	B1-U3-G1	5690	140	B1-U3-G1	
	3W		5295	130	B2-U3-G1	5467	135	B2-U3-G1	5378	132	B2-U3-G1	5597	138	B2-U3-G1	5671	140	B2-U3-G1	
	5D		4937	122	B2-U3-G1	5097	126	B2-U3-G1	5014	123	B2-U3-G1	5218	129	B2-U3-G1	5287	130	B2-U3-G1	
	AD		4950	122	B2-U3-G1	5111	126	B2-U3-G1	5027	124	B2-U3-G1	5232	129	B2-U3-G1	5301	131	B2-U3-G1	
8L	5Q	80	7185	130	B3-U3-G1	7419	134	B3-U3-G1	7297	132	B3-U3-G1	7594	138	B3-U3-G1	7695	139	B3-U3-G1	55
	5C		7376	134	B2-U3-G1	7616	138	B2-U3-G1	7491	136	B2-U3-G1	7796	141	B2-U3-G1	7899	143	B2-U3-G1	
	5R		7104	129	B3-U3-G3	7335	133	B3-U3-G3	7214	131	B3-U3-G3	7508	136	B3-U3-G3	7608	138	B3-U3-G3	
	4F		7120	129	B2-U3-G1	7352	133	B2-U3-G1	7231	131	B2-U3-G1	7525	136	B2-U3-G1	7625	138	B2-U3-G1	
	3W		7096	129	B2-U3-G2	7326	133	B2-U3-G2	7206	131	B2-U3-G2	7499	136	B2-U3-G2	7599	138	B2-U3-G2	
	5D		6616	120	B2-U3-G1	6831	124	B2-U3-G1	6718	122	B2-U3-G1	6992	127	B2-U3-G1	7085	128	B2-U3-G1	
	AD		6634	120	B2-U3-G2	6849	124	B2-U3-G2	6736	122	B2-U3-G2	7011	127	B2-U3-G2	7104	129	B2-U3-G2	
10L	5Q	80	9061	128	B3-U3-G1	9355	132	B3-U3-G1	9201	130	B3-U3-G1	9576	136	B3-U3-G1	9703	137	B3-U3-G1	70
	5C		9302	132	B3-U3-G1	9604	136	B3-U3-G1	9446	134	B3-U3-G1	9831	139	B3-U3-G1	9961	141	B3-U3-G1	
	5R		8959	127	B3-U3-G3	9250	131	B3-U3-G3	9097	129	B3-U3-G3	9468	134	B3-U3-G3	9594	136	B3-U3-G3	
	4F		8979	127	B2-U3-G2	9271	131	B2-U3-G2	9118	129	B2-U3-G2	9490	134	B2-U3-G2	9616	136	B2-U3-G2	
	3W		8948	127	B2-U3-G2	9239	131	B2-U3-G2	9087	129	B2-U3-G2	9457	134	B2-U3-G2	9583	136	B2-U3-G2	
	5D		8343	118	B3-U3-G1	8614	122	B3-U3-G1	8472	120	B3-U3-G1	8817	125	B3-U3-G1	8934	126	B3-U3-G1	
	AD		8365	118	B2-U3-G2	8637	122	B2-U3-G2	8495	120	B2-U3-G2	8841	125	B2-U3-G2	8958	127	B2-U3-G2	
12L	5Q	80	10801	126	B3-U3-G1	11152	130	B3-U3-G1	10968	128	B3-U3-G1	11415	134	B3-U3-G1	11566	135	B3-U3-G1	85
	5C		11088	130	B3-U3-G1	11448	134	B3-U3-G1	11260	132	B3-U3-G1	11718	137	B3-U3-G1	11874	139	B3-U3-G1	
	5R		10679	125	B3-U3-G3	11026	129	B3-U3-G3	10844	127	B3-U3-G3	11286	132	B3-U3-G3	11436	134	B3-U3-G3	
	4F		10703	125	B2-U3-G2	11051	129	B2-U3-G2	10869	127	B2-U3-G2	11312	132	B2-U3-G2	11462	134	B2-U3-G2	
	3W		10666	125	B2-U3-G2	11013	129	B2-U3-G2	10832	127	B2-U3-G2	11273	132	B2-U3-G2	11423	134	B2-U3-G2	
	5D		9945	116	B3-U3-G2	10268	120	B3-U3-G2	10099	118	B3-U3-G2	10510	123	B3-U3-G2	10650	125	B3-U3-G2	
	AD		9972	117	B2-U3-G2	10296	120	B2-U3-G2	10126	118	B2-U3-G2	10539	123	B2-U3-G2	10679	125	B2-U3-G2	
14L	5Q	80	12487	124	B3-U3-G2	12893	128	B3-U3-G2	12681	126	B3-U3-G2	13197	131	B3-U3-G2	13372	133	B3-U3-G2	100
	5C		12819	128	B3-U3-G1	13236	132	B3-U3-G1	13018	130	B3-U3-G1	13548	135	B3-U3-G1	13728	137	B3-U3-G1	
	5R		12346	123	B3-U3-G3	12747	127	B3-U3-G3	12537	125	B3-U3-G3	13048	130	B3-U3-G3	13221	132	B3-U3-G3	
	4F		12374	123	B2-U3-G2	12776	127	B2-U3-G2	12566	125	B2-U3-G2	13078	130	B2-U3-G2	13252	132	B2-U3-G2	
	3W		12332	123	B2-U3-G2	12732	127	B2-U3-G3	12523	125	B2-U3-G3	13033	130	B2-U3-G3	13206	132	B2-U3-G3	
	5D		11497	114	B3-U3-G2	11871	118	B3-U3-G2	11675	116	B3-U3-G2	12151	121	B3-U3-G2	12312	123	B3-U3-G2	
	AD		11528	114	B2-U3-G2	11903	118	B2-U3-G2	11707	116	B2-U3-G2	12184	121	B2-U3-G2	12346	123	B2-U3-G2	



Opulence Small Post Top

CONTROLS

Integral Bluetooth™ Motion and Photocell Sensor (IMSBT)

Slim low profile sensor provides multi-level control based on motion and/or daylight. Sensor controls 0-10 VDC LED drivers and is rated for cold and wet locations (-30° C to 70° C). Two unique PIR lenses are available and used based on fixture mounting height. All control parameters are adjustable via an iOS or Android App capable of storing and transmitting sensor profiles.

AirLink Blue

Wireless Bluetooth Mesh Outdoor Lighting Control System that provides energy savings, code compliance and enhanced safety/security for parking lots and parking garages. Three key components; Bluetooth wireless radio/sensor controller, Time Keeper and an iOS App. Capable of grouping multiple fixtures and sensors as well as scheduling time-based events by zone. Radio/Sensor Controller is factory integrated into Area/Site, Wall Mounted, Parking Garage and Canopy luminaires.

